

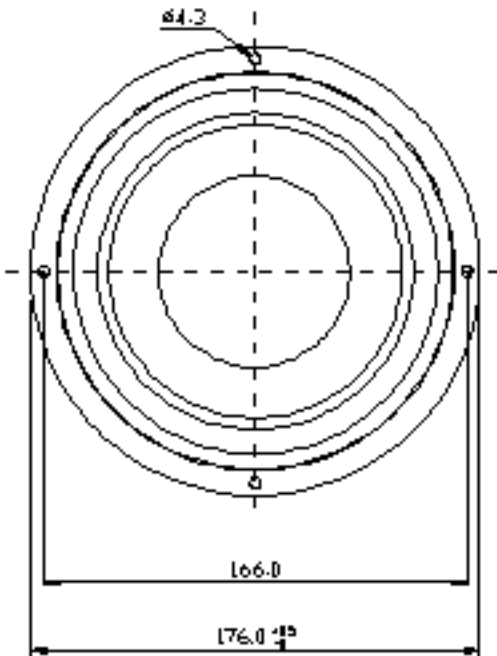
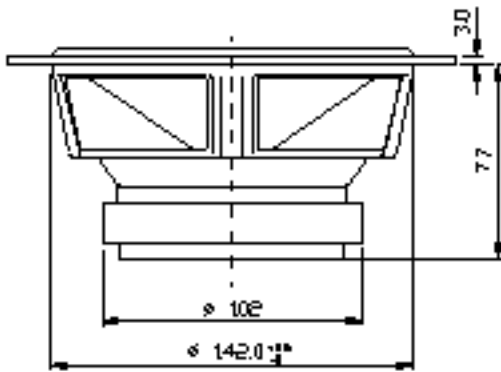


# Peerless Data Sheet

## CSX 176 H

176 WR 33 102 SD AL 8 ohm - Order ID: 850122

6½" high-end woofer with heavy magnet and large voice coil. All-around bass reflex driver suitable for a wide range of box sizes (8-50 ltrs.). The speaker impresses with a very deep and dry bass, and a crisp and clear midrange with very low distortion.



**CSX 176 H**Thiele Small parameters:

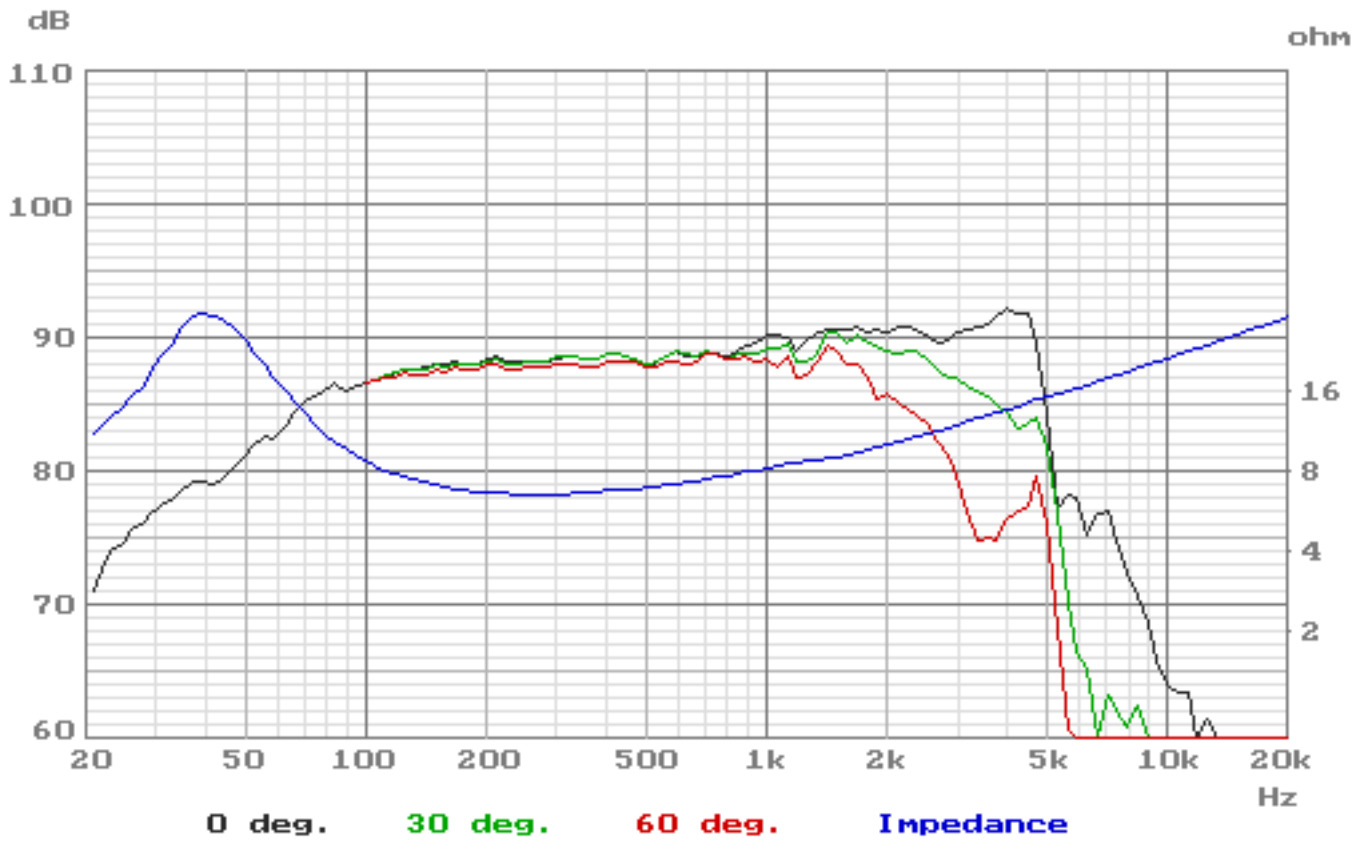
			Free air	Common	Baffled
Nominal impedance	Zn	(ohm)		8	
Minimum impedance/at freq.	Zmin	(ohm/Hz)		6.5/230	
Maximum impedance	Zo	(ohm)		31.7	
DC resistance	Re	(ohm)		6.1	
Voice coil inductance	Le	(mH)		1.3	
Capacitor in series with 8 ohm (for impedance compensation)	Cc	( $\mu$ F)		9	
Resonance Frequency	fs	(Hz)	38.0		36.8
Mechanical Q factor	Qms		2.22		2.29
Electrical Q factor	Qes		0.53		0.55
Total Q factor	Qts		0.43		0.44
F (Ratio fs/Qts)	F	(Hz)			83
Mechanical resistance	Rms	(Kg/s)		1.92	
Moving mass	Mms	(g)	17.8		19.0
Suspension compliance	Cms	(mm/N)		0.99	
Effective cone diameter	D	(cm)		13.5	
Effective piston area	Sd	(cm <sup>2</sup> )		143	
Equivalent volume	VAS	(ltrs)		27.7	
Force factor	Bl	(N/A)		7.0	
Reference voltage sensitivity Re 2.83V 1m at 230 Hz (Measured)		(dB)			86.5

Magnet and voice coil parameters:

Voice coil diameter	d	(mm)	33		
Voice coil length	h	(mm)	17		
Voice coil layers	n		2		
Flux density in gap	B	(T)	1.08		
Total useful flux		(mWb)	0.94		
Height of the gap	hg	(mm)	6		
Diameter of magnet	dm	(mm)	102		
Height of magnet	hm	(mm)	16		
Weight of magnet		(kg)	0.54		

Power handling:

Long term Max System Power (IEC)		(W)	150		
----------------------------------	--	-----	-----	--	--



Measuring methods and conditions are stated in Peerless Standard for Acoustic Measurements (PSAM)