

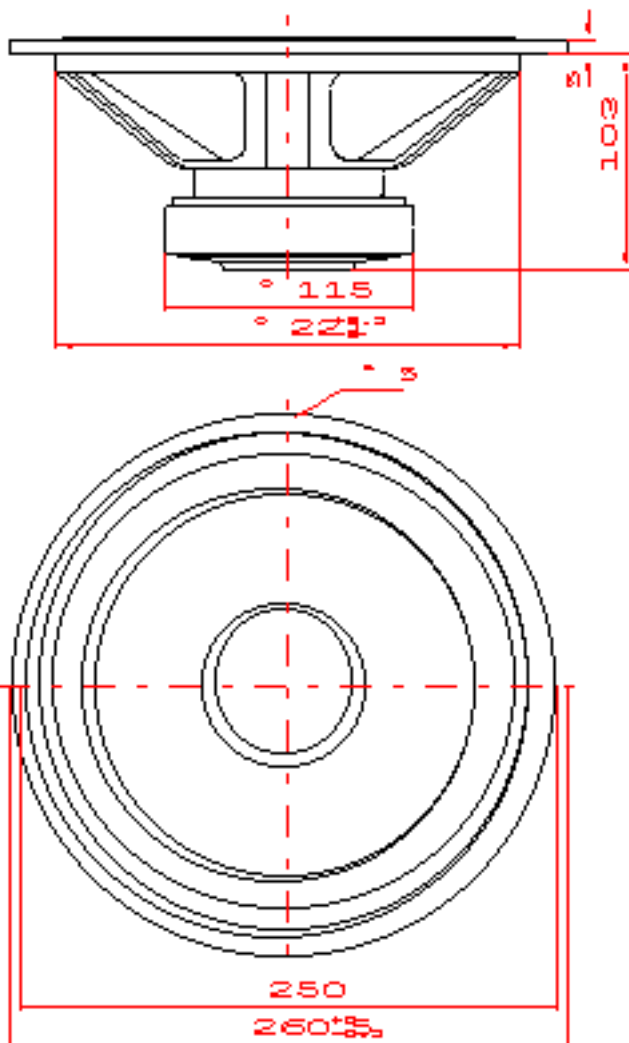


Peerless Data Sheet

260 SWR

260 SWR 39 115 PPX AL 4L 8 ohm - Order ID: 831727

10" high powered subwoofer driver with a transient and outstanding dry, clean bass performance. A high sensibility results in very realistic sound pressures. Suitable for surround sound applications and high-end speaker systems.



260 SWRThiele Small parameters:

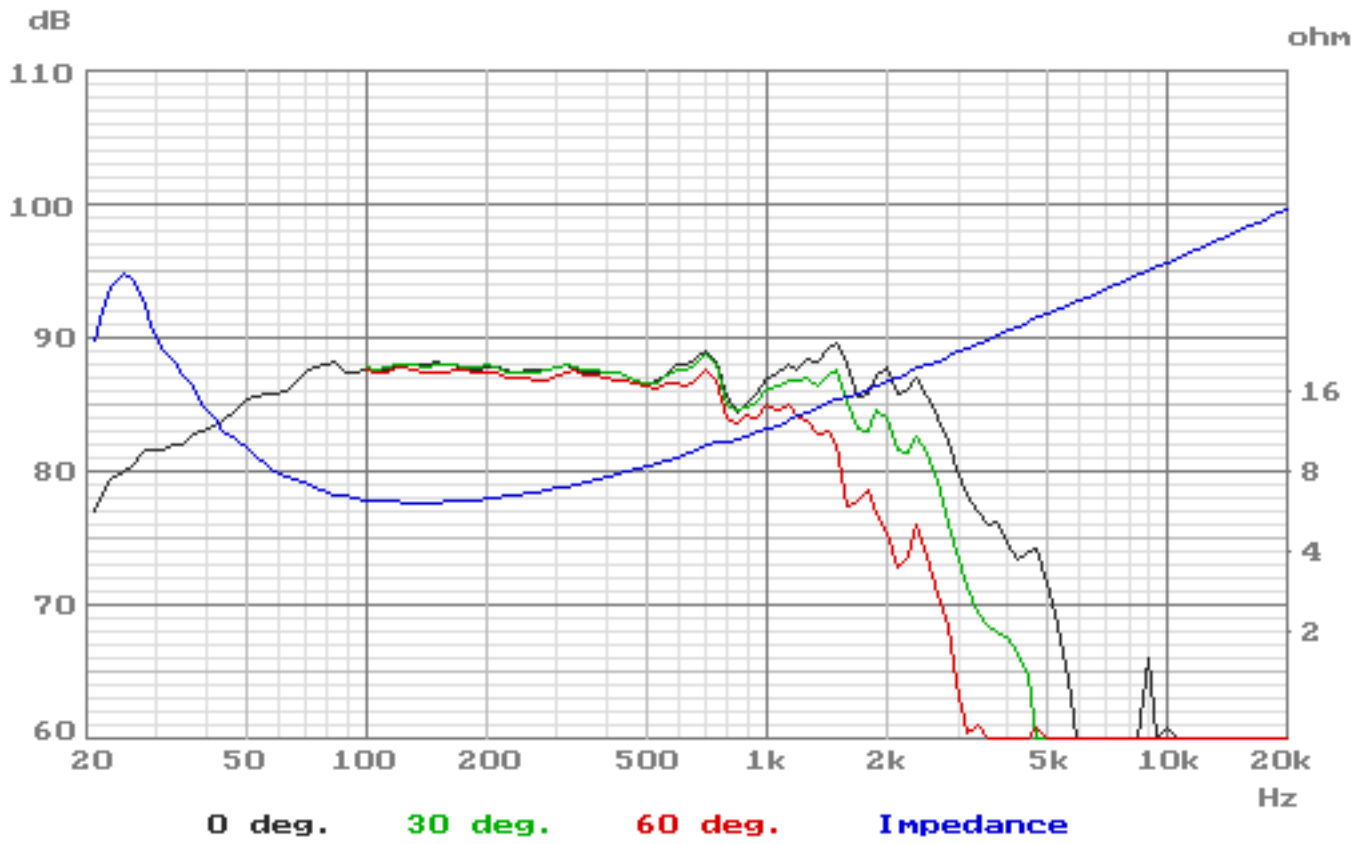
		Free air	Common	Baffled
Nominal impedance	Zn	(ohm)	8	
Minimum impedance/at freq.	Zmin	(ohm/Hz)	6.2/123	
Maximum impedance	Zo	(ohm)	41.9	
DC resistance	Re	(ohm)	5.4	
Voice coil inductance	Le	(mH)	3.3	
Capacitor in series with 8 ohm (for impedance compensation)	Cc	(μF)	25	
Resonance Frequency	fs	(Hz)	22.3	21.5
Mechanical Q factor	Qms		2.62	2.73
Electrical Q factor	Qes		0.38	0.40
Total Q factor	Qts		0.34	0.35
F (Ratio fs/Qts)	F	(Hz)		62
Mechanical resistance	Rms	(Kg/s)	2.71	
Moving mass	Mms	(g)	50.8	54.8
Suspension compliance	Cms	(mm/N)	1.00	
Effective cone diameter	D	(cm)	19.9	
Effective piston area	Sd	(cm ²)	310.0	
Equivalent volume	VAS	(ltrs)	136.2	
Force factor	Bl	(N/A)	10.0	
Reference voltage sensitivity Re 2.83V 1m at 123 Hz (Measured)		(dB)		87.8

Magnet and voice coil parameters:

Voice coil diameter	d	(mm)	39
Voice coil length	h	(mm)	26.0
Voice coil layers	n		4
Flux density in gap	B	(T)	0.85
Total useful flux		(mWb)	1.34
Height of the gap	hg	(mm)	8
Diameter of magnet	dm	(mm)	115
Height of magnet	hm	(mm)	22
Weight of magnet		(kg)	0.87

Power handling:

Long term Max System Power (IEC)	(W)	220
Max linear SPL (rms) / by power	(dB/W)	110/315



Measuring methods and conditions are stated in Peerless Standard for Acoustic Measurements (PSAM)