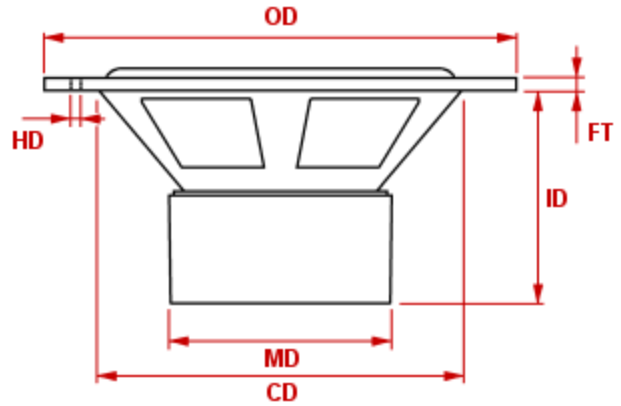


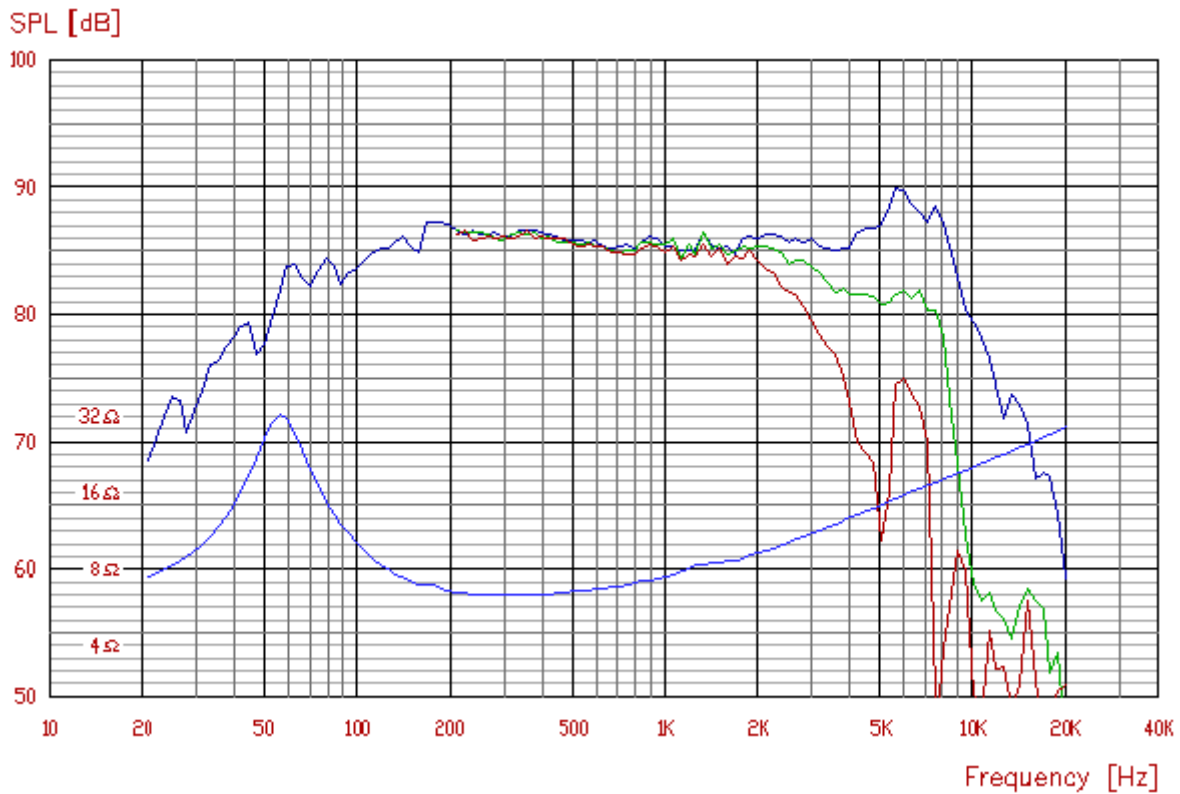


TC14SG49-08

Nominal impedance [ohm]	8
Voice coil resistance [ohm]	5.55
Nominal power [W]	35
Short term max power [W]	110
Long term max power [W]	110
Operating power [W]	10
Sensitivity [dB]	86
Frequency range [Hz]	55-4000
Free air resonance [Hz]	53
Voice coil diameter [mm]	25
Voice coil height [mm]	10
Air gap height [mm]	4
Voice coil inductance [mH]	0.60
Eff. diaphragm Area [cm ²]	80
Moving mass [g]	7.8
Magnet weight [g]/[oz]	240/8.5
Force factor [Bl]	5.2
VAS [l]	10.5
Q _{ms}	2.73
Q _{es}	0.53
Q _{ts}	0.45



OD: 149 mm	CD: 116 mm
FT: 4.6 mm	ID: 68 mm
MD: 92.5 mm	HD: -



Frequency response: 2.83V / 1m