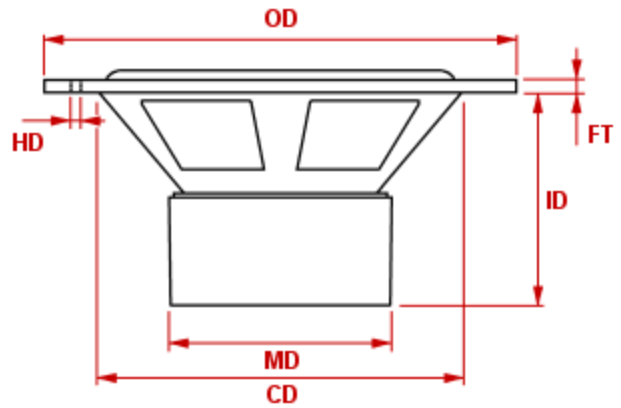


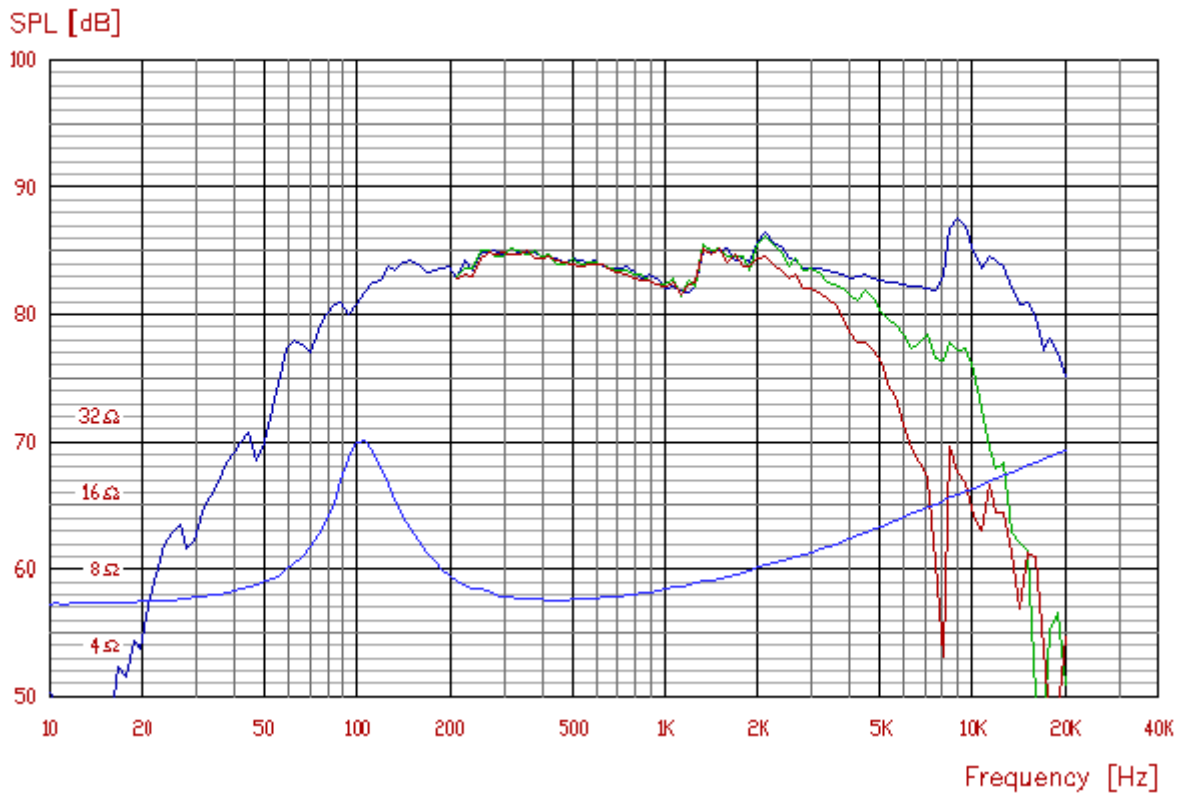


TC08SD49-08

Nominal impedance [ohm]	8
Voice coil resistance [ohm]	5.45
Nominal power [W]	15
Short term max power [W]	40
Long term max power [W]	40
Operating power [W]	15.9
Sensitivity [dB]	84
Frequency range [kHz]	0.1-6
Free air resonance [Hz]	100
Voice coil diameter [mm]	20
Voice coil height [mm]	8
Air gap height [mm]	4
Voice coil inductance [mH]	0.47
Eff. diaphragm Area [cm ²]	35
Moving mass [g]	2.8
Magnet weight [g]/[oz]	105/3.7
Force factor [Bl]	3.6
VAS [l]	1.55
Qms	3.52
Qes	0.74
Qts	0.61



OD: 95 mm	CD: 74.5 mm
FT: 3.5 mm	ID: -
MD: -	HD: -



Frequency response: 2.83V / 1m