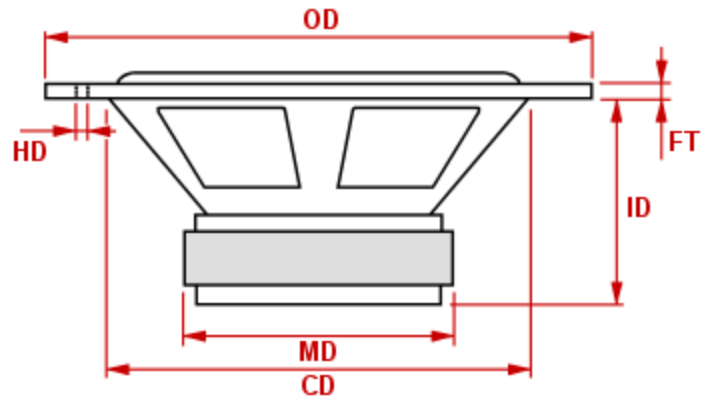




# PL14WJ09-08

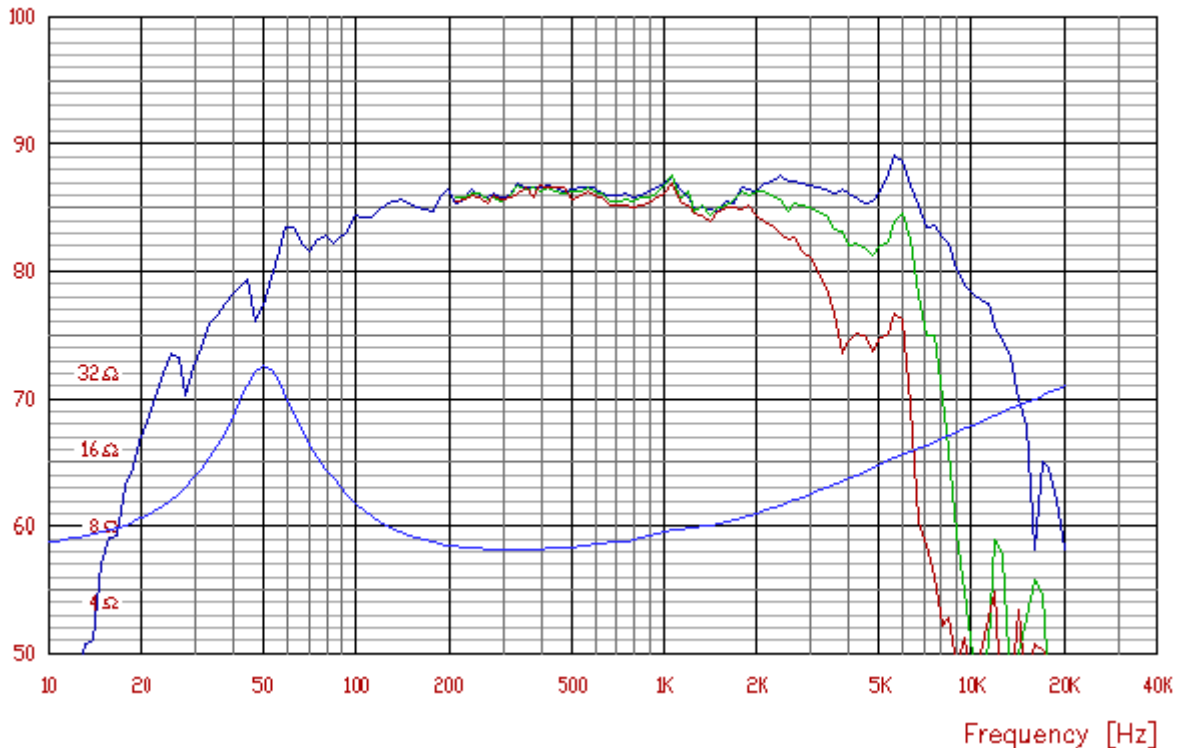
Nominal impedance [ohm]	8
Voice coil resistance [ohm]	5.8
Nominal power [W]	50
Short term max power [W]	250
Long term max power [W]	200
Operating power [W]	10
Sensitivity [dB]	86
Frequency range [Hz]	45-5000
Free air resonance [Hz]	47
Voice coil diameter [mm]	32
Voice coil height [mm]	10
Air gap height [mm]	4
Voice coil inductance [mH]	0.49
Eff. diaphragm Area [cm <sup>2</sup> ]	80
Moving mass [g]	8.2
Magnet weight [g]/[oz]	415/14.5
Force factor [Bl]	5.5
VAS [l]	13
Q <sub>ms</sub>	2.20
Q <sub>es</sub>	0.46
Q <sub>ts</sub>	0.38



OD: 149 mm	CD: 115 mm
FT: 4.5 mm	ID: 61 mm
MD: 86.5 mm	HD: -



SPL [dB]



Frequency response: 2.83V / 1m