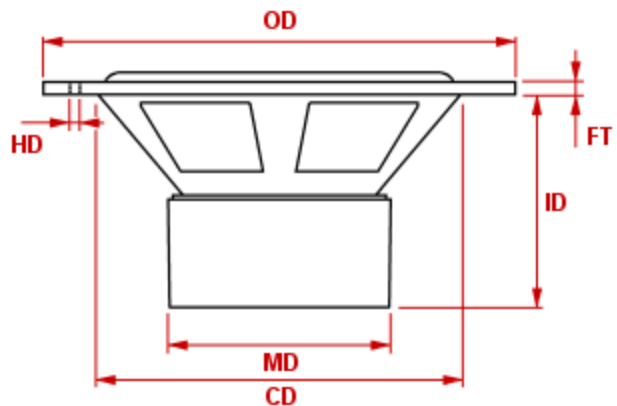


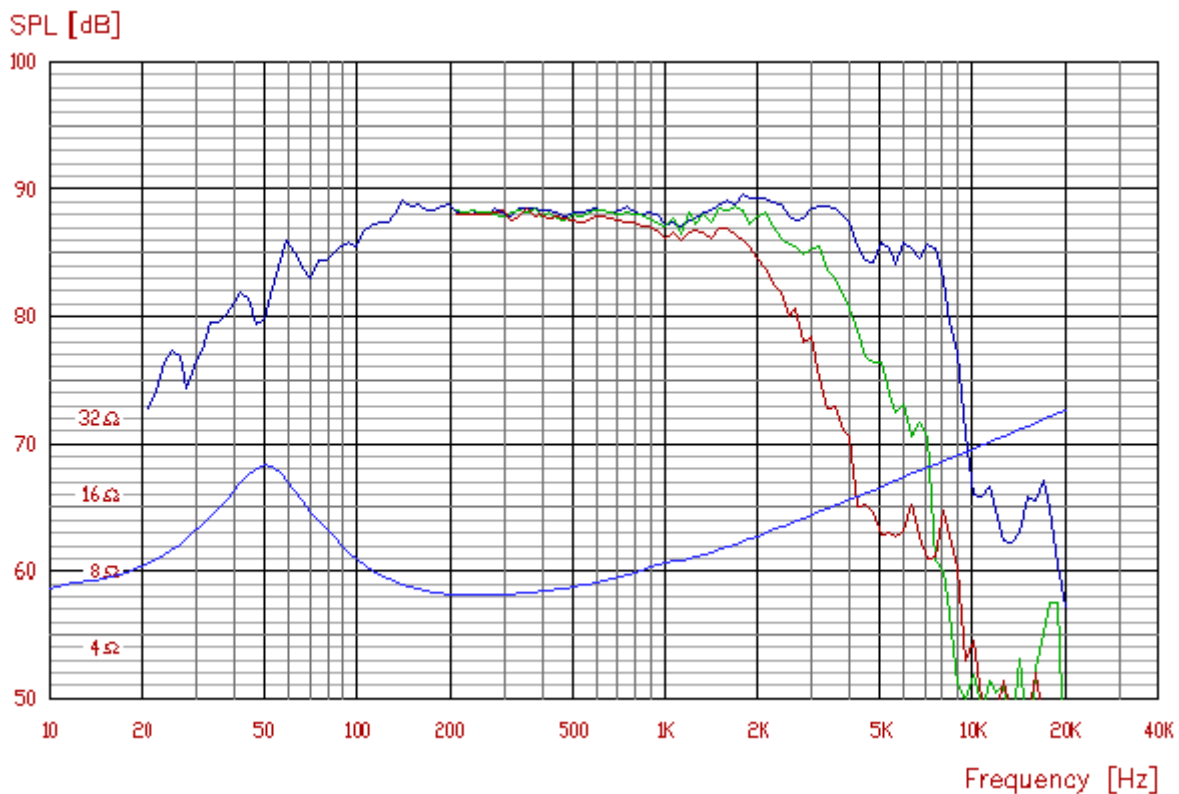


P17SJ-00-08

Nominal impedance [ohm]	8
Voice coil resistance [ohm]	5.6
Nominal power [W]	20
Short term max power [W]	350
Long term max power [W]	150
Operating power [W]	8
Sensitivity [dB]	87
Frequency range [Hz]	35-5000
Free air resonance [Hz]	41
Voice coil diameter [mm]	32
Voice coil height [mm]	14
Air gap height [mm]	6
Voice coil inductance [mH]	0.84
Eff. diaphragm Area [cm ²]	136
Moving mass [g]	12
Magnet weight [g]/[oz]	721/25.4
Force factor [Bl]	6
VAS [l]	33
Q _{ms}	1.28
Q _{es}	0.48
Q _{ts}	0.35



OD: 170 mm	CD: 146 mm
FT: 4.6 mm	ID: 88.5 mm
MD: 97.1 mm	HD: 4xø5@ø162



Frequency response: 2.83V / 1m