



Vifa-Speak A/s  
DK-6920 Videbæk  
Denmark

Fabrikation af kvalitetshøjttalere  
Production of Quality Loudspeakers

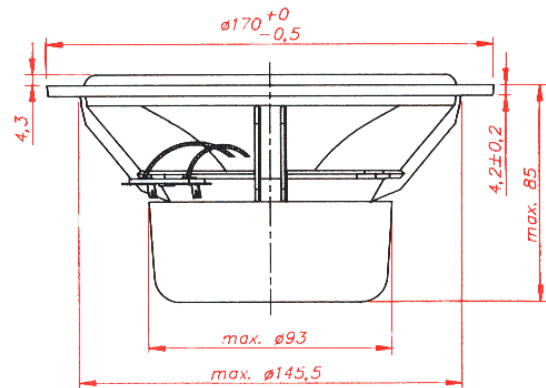
## 6 1/2" WOOFER

### SPECIAL FEATURES:

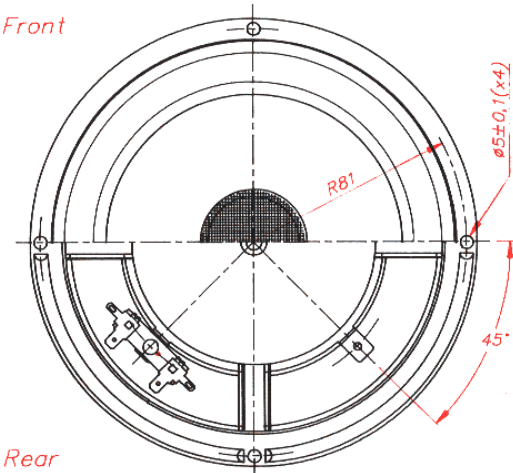
- MAGNETIC SHIELDED/DOUBLE MAGNET
- SPECIALLY DESIGNED FOR TV SETS
- VERY SMOOTH FREQUENCY RESPONSE
- HIGH DAMPING RUBBER SURROUND
- WELL SUITED FOR BASS REFLEX
- VENTED THROUGH SHIELD

NOMINAL IMPEDANCE	8 Ω
NOMINAL POWER (IEC 268-5)	50 W
MUSIC POWER (DIN 45500)	80 W
FREQUENCY RANGE	34-5000 Hz
SENSITIVITY (1W, 1m)	89 dB
EFFECTIVE CONE AREA	137 cm <sup>2</sup>
VOICE COIL RESISTANCE	5,6 Ω
VOICE COIL INDUCTANCE	0,7 mH
OPERATING POWER	5,0 W
VOICE COIL DIAMETER	25 mm
VOICE COIL HEIGHT	12 mm
AIR GAP HEIGHT	6 mm
FREE AIR RESONANCE	34 Hz
MOVING MASS (incl. air)	11 g
FORCE FACTOR, B x l	5,3 Txm
MAGNET WEIGHT (12,1 oz)	344 g
Qms	1,36
Qes	0,47
Qts	0,34
Vas	53 ltr

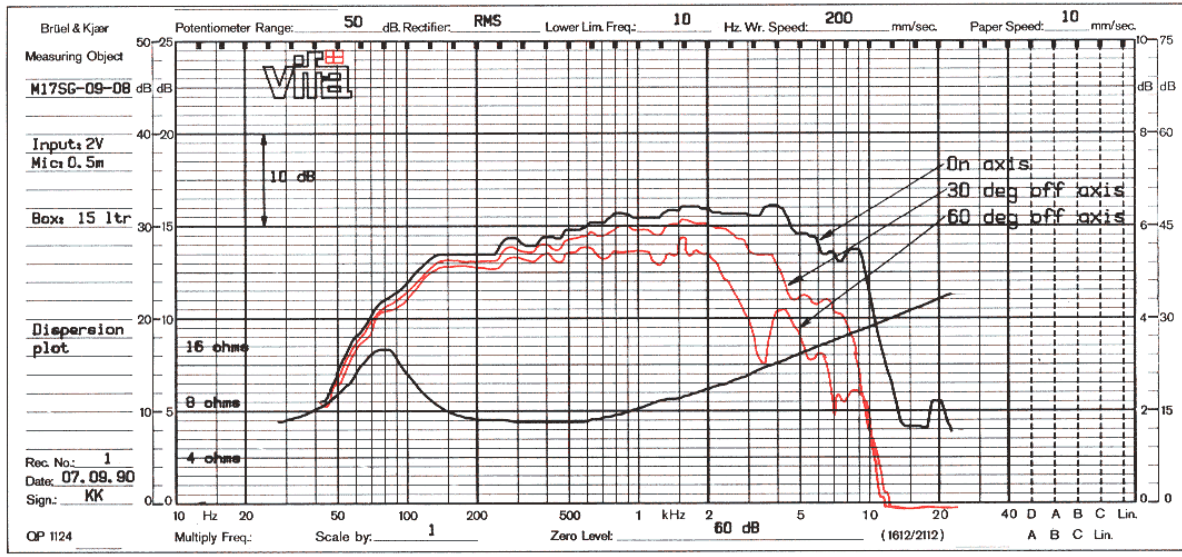
## M17SG-09-08



Front



Rear



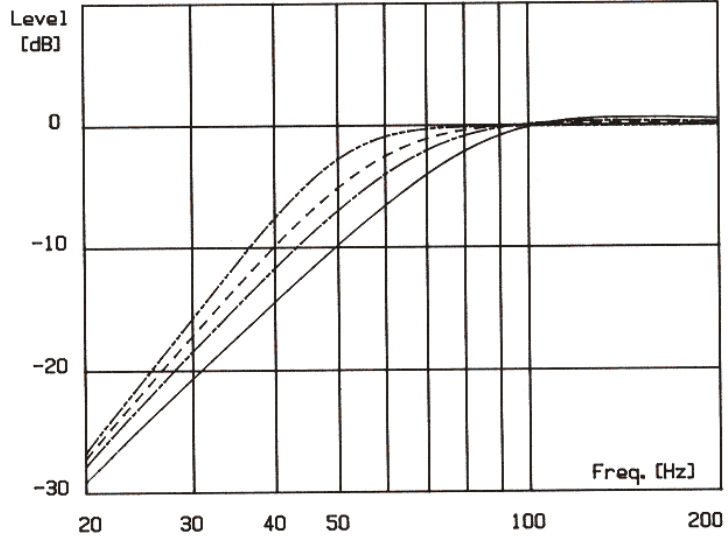
# M17SG-09-08

# Applications

## BASS REFLEX SYNTHESIS

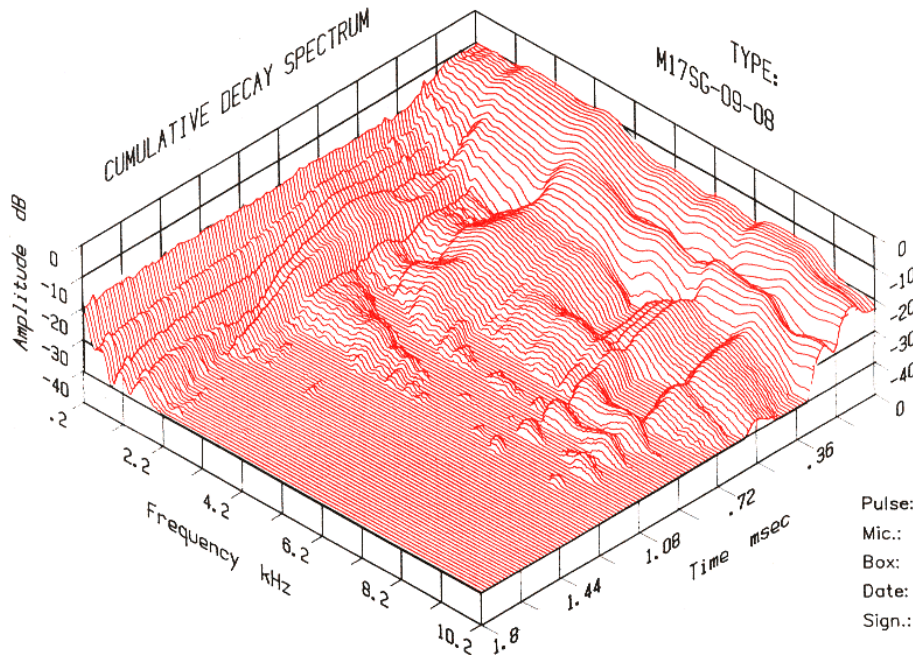
	Vb [ltrs]	Fb [Hz]	Dp [cm]	Lp [cm]
1—	10	45	4.0	10.9
2—	15	45	4.0	6.5
3--	20	45	5.0	7.4
4---	30	45	5.0	4.0

Vb: Box Volume  
 Fb: Tuning Frequency  
 Dp: Port Diameter  
 Lp: Port Length



The M17SG-09-08 is a magnetic shielded woofer for use e.g. in TV sets.

It may be used in 5-30 litres sealed enclosures (Qt from 1.0 to 0.5), but the best result will be obtained in a 10-30 litres vented box.



Pulse: 10V/25µS  
 Mic.: 0,15 m  
 Box: 15 l  
 Date: 06.09.90  
 Sign.: KK

Stationsvej 5 • Postbox 39 • DK-6920 Videbæk • Tlf. 97 17 17 22 • Int. tel.: +45 97 17 17 22 • Telefax: +45 97 17 16 96  
 Postgiro 9 03 79 50 • Akts. reg.nr.: 209648 • Bank: A/S Ringkjøbing Bank, Videbæk afd. • SWIFT address RIBA DK 22, Telex: 62442