

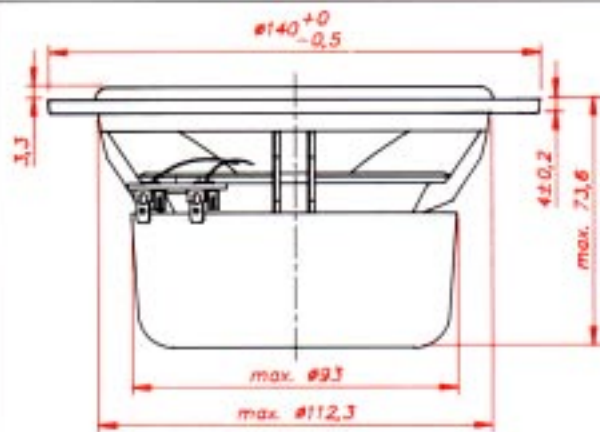
5" WOOFER

SPECIAL FEATURES:

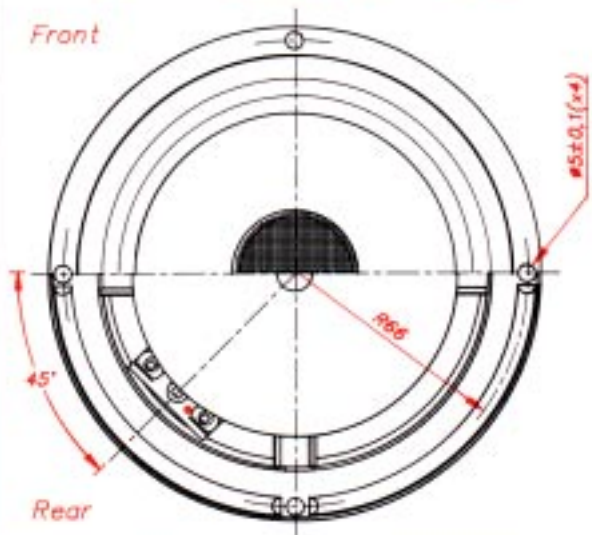
- MAGNETIC SHIELDED/DOUBLE MAGNET
- SPECIALLY DESIGNED FOR TV SETS
- VERY SMOOTH FREQUENCY RESPONSE
- HIGH DAMPING RUBBER SURROUND
- WELL SUITED FOR BASS REFLEX

NOMINAL IMPEDANCE	8 Ω
NOMINAL POWER (IEC 268-5)	35 W
MUSIC POWER (DIN 45500)	70 W
FREQUENCY RANGE	54-5000 Hz
SENSITIVITY (1W, 1m)	88 dB
EFFECTIVE CONE AREA	80 cm ²
VOICE COIL RESISTANCE	5,6 Ω
VOICE COIL INDUCTANCE	0,7 mH
OPERATING POWER	6,3 W
VOICE COIL DIAMETER	25 mm
VOICE COIL HEIGHT	10 mm
AIR GAP HEIGHT	6 mm
FREE AIR RESONANCE	54 Hz
MOVING MASS (incl. air)	6,5 g
FORCE FACTOR, B x l	5,2 Txm
MAGNET WEIGHT (12,1 oz)	344 g
Qms	1,50
Qes	0,46
Qts	0,35
Vas	12 ltr

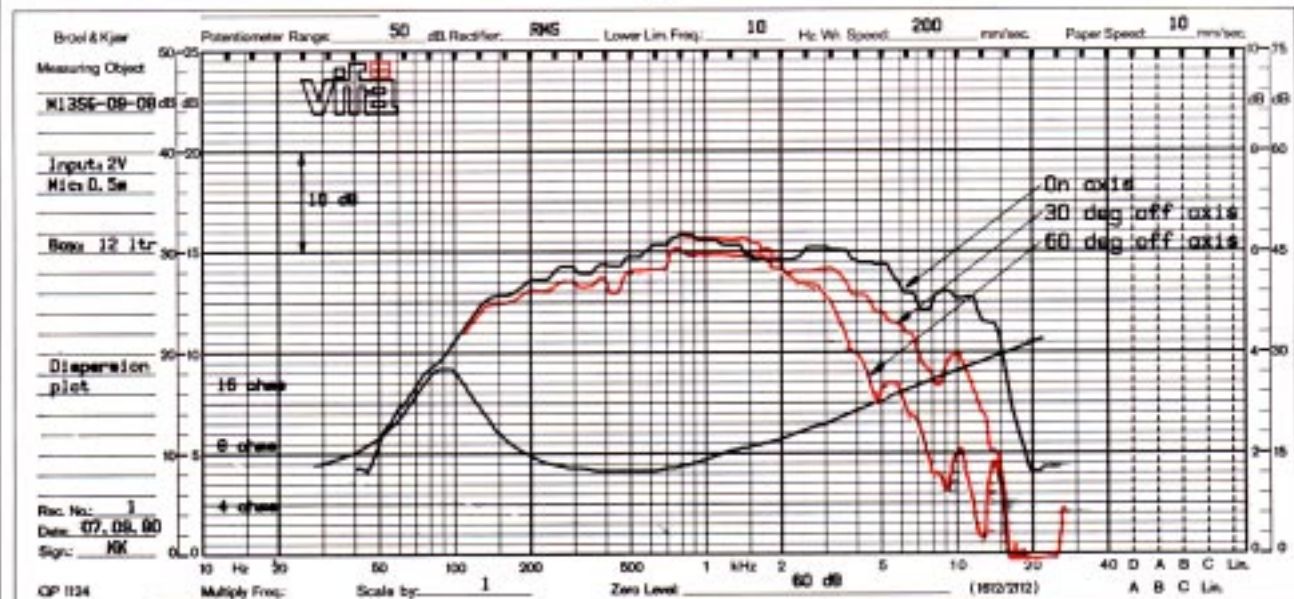
M13SG-09-08



Front



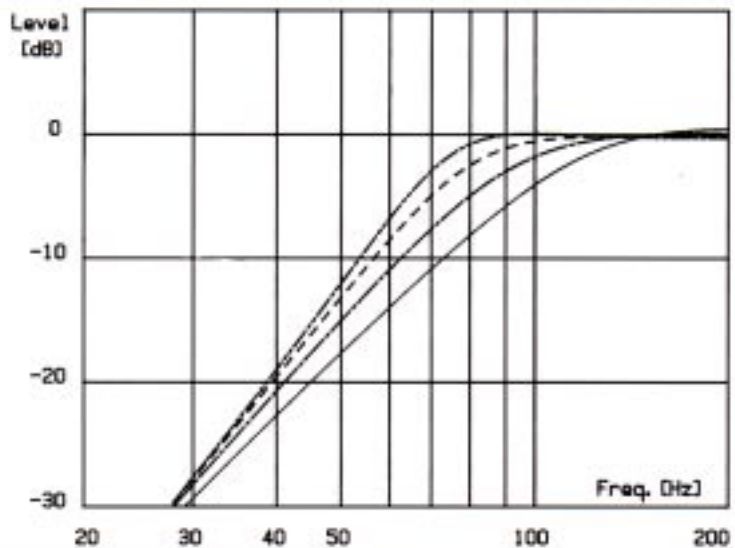
Rear



M13SG-09-08**Applications****BASS REFLEX SYNTHESIS**

	Vb [litre]	Fb [Hz]	Dp [cm]	Lp [cm]
1	3	70	3.0	8.5
2	5	70	3.0	4.4
3	8	70	4.0	4.5
4	12	70	5.0	4.3

Vb: Box Volume
 Fb: Tuning Frequency
 Dp: Port Diameter
 Lp: Port Length



The M13SG-09-08 is a magnetic shielded woofer for use e.g. in TV sets.

It may be used in 2-6 litres sealed enclosures (Q_t from 1.0 to 0.5), but the best result will be obtained in a 3-12 litres vented box.

