

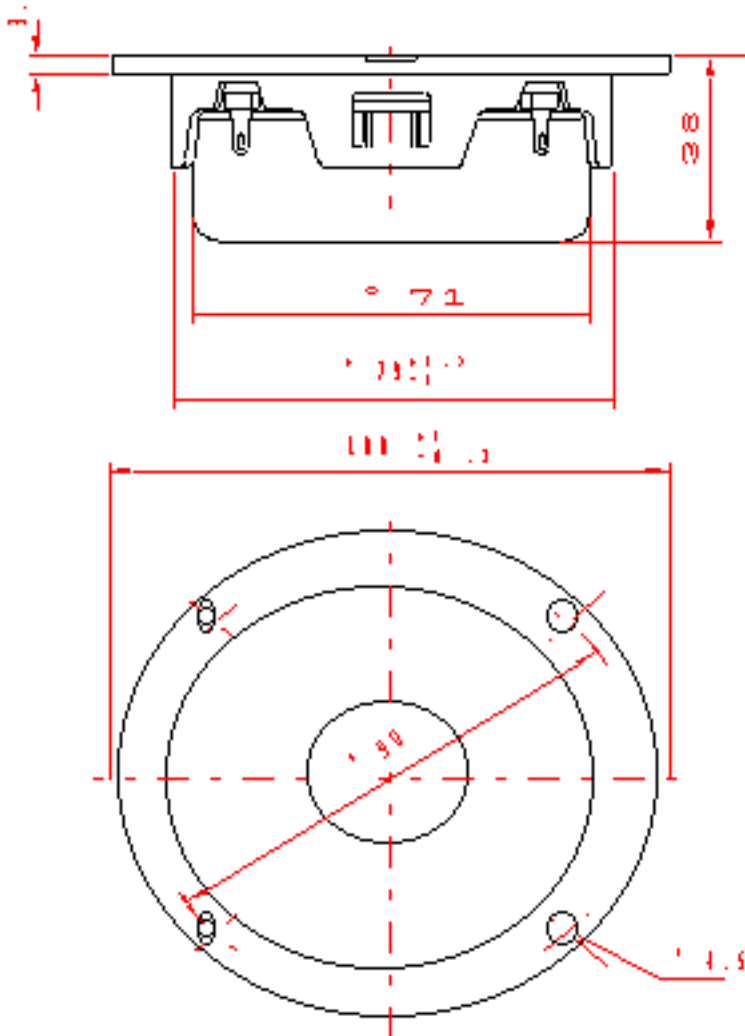


Peerless Data Sheet

DT 100

100 DT 26 60 SF WA TV 8/6 ohm - Order ID: 812978

1" dome tweeter shielded for minimal magnetic stray flux from the speaker. The tweeter is intended for use in surround sound systems or in computer monitors. The tweeter can be placed close to television sets without interfering with the quality of the picture. Furthermore, the tweeter has Peerless' unique wide angle front plate with distinguished treble qualities.



DT 100

Thiele Small parameters:

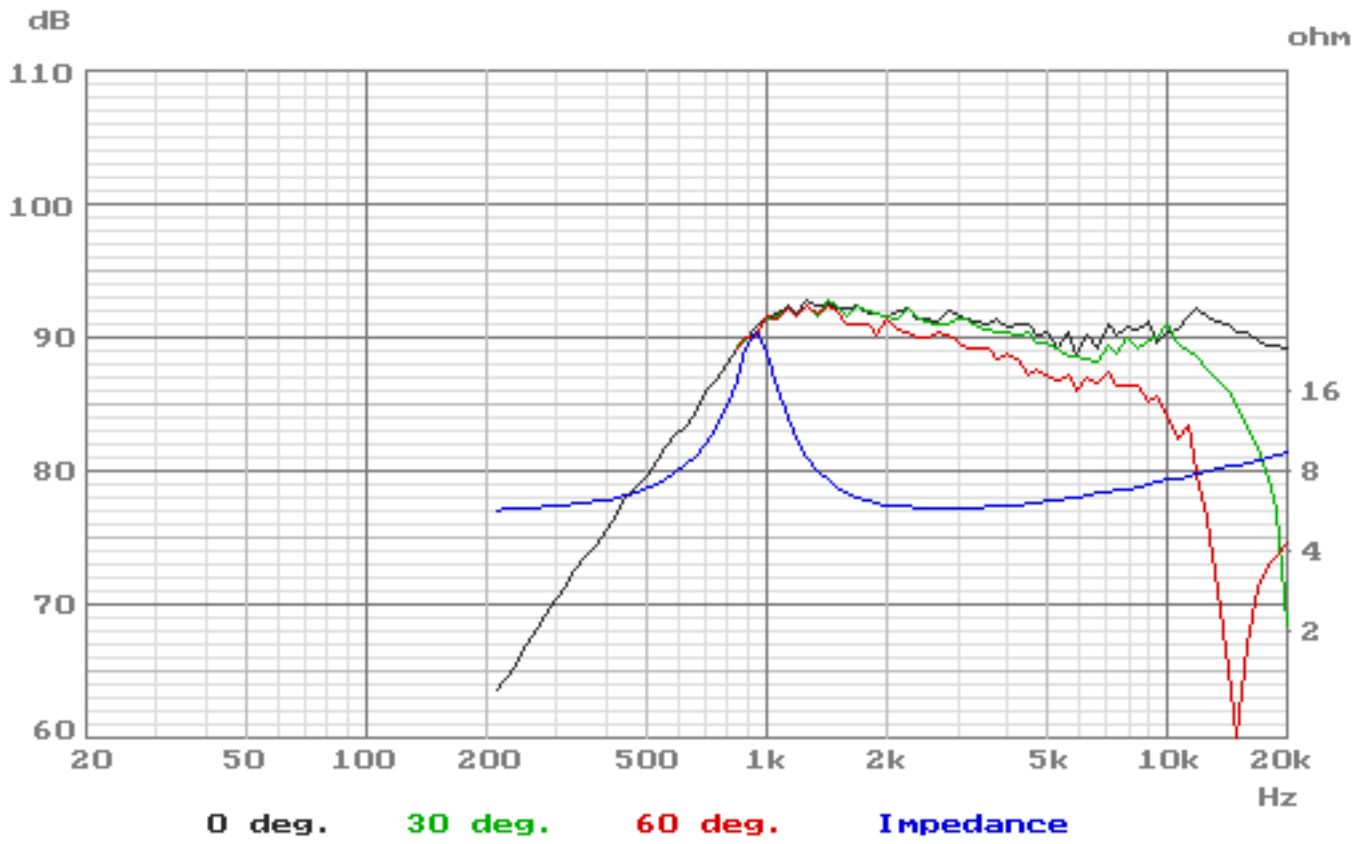
Nominal impedance	Zn	(ohm)	8
Minimum impedance/at freq.	Zmin	(ohm/Hz)	5.8/2700
Maximum impedance	Zo	(ohm)	27.4
DC resistance	Re	(ohm)	5.4
Voice coil inductance	Le	(mH)	0.1
Resonance Frequency	fs	(Hz)	940
Mechanical Q factor	Qms		5.50
Electrical Q factor	Qes		1.36
Total Q factor	Qts		1.09
Mechanical resistance	Rms	(Kg/s)	0.37
Moving mass	Mms	(g)	0.34
Suspension compliance	Cms	(mm/N)	0.08
Effective cone diameter	D	(cm)	2.8
Effective piston area	Sd	(cm ²)	6.2
Force factor	Bl	(N/A)	2.8
Reference voltage sensitivity Re 2.83V 1m at 2700 Hz (Measured)		(dB)	91

Magnet and voice coil parameters:

Voice coil diameter	d	(mm)	26
Voice coil length	h	(mm)	1.8
Voice coil layers	n		2
Flux density in gap	B	(T)	1.1
Total useful flux		(mWb)	0.3
Height of the gap	hg	(mm)	2.5
Diameter of magnet	dm	(mm)	60+51
Height of magnet	hm	(mm)	10+8
Weight of magnet		(kg)	.1+.07

Power handling:

Long term Max System Power (IEC)		(W)	100
----------------------------------	--	-----	-----



Measuring methods and conditions are stated in Peerless Standard for Acoustic Measurements (PSAM)