

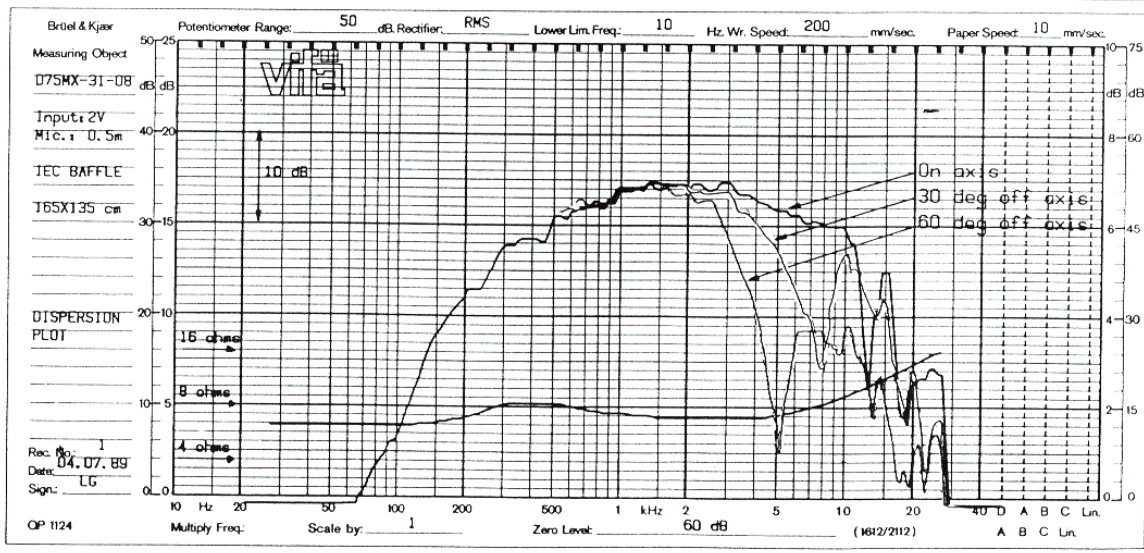
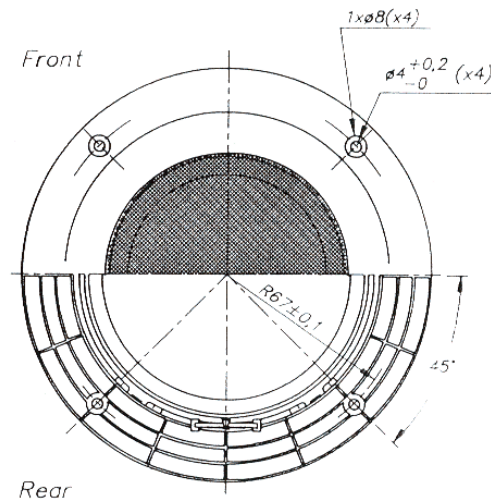
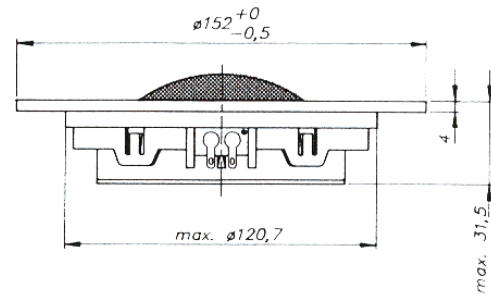
## 3" MIDRANGE DOME

### SPECIAL FEATURES:

- PRECOATED FABRIC DIAPHRAGM
- LOW MOVING MASS
- INTERNAL FERRITE MAGNET
- VERY LINEAR IMPEDANCE
- INTERNAL DIAPHRAGM PROTECTION GRILLE

NOMINAL IMPEDANCE	8 $\Omega$
NOMINAL POWER (IEC 268-5)	80 W
FREQUENCY RANGE	0,5-6 kHz
SENSITIVITY (1W, 1m)	92 dB
EFFECTIVE DIAPHRAGM AREA	55 cm <sup>2</sup>
VOICE COIL RESISTANCE	5,9 $\Omega$
OPERATING POWER	2,5 W
VOICE COIL DIAMETER	76 mm
VOICE COIL HEIGHT	3 mm
AIR GAP HEIGHT	2 mm
FREE AIR RESONANCE	300 Hz
MOVING MASS (incl. air)	3,3 g
FORCE FACTOR, B x l	4,7 T $\times$ m
MAGNET WEIGHT	(8,5 oz) 240 g

## D75MX-31-08

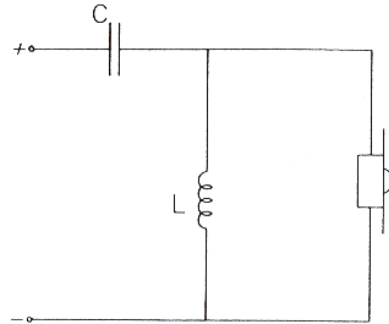


# D75MX-31-08

# Applications

Recommended x-over:

Nom. power [W]	Fc [Hz]	L [mH]	C [ $\mu$ F]
80	500	3,3	24



It is recommended to use 2'nd order (12dB/oct) x-over for D75MX-31-08. A rear chamber of 1-2 l (1,5 l recommended) is necessary. The internal damping should be high ie. the volume should be stuffed with glass wool or similar.

4

