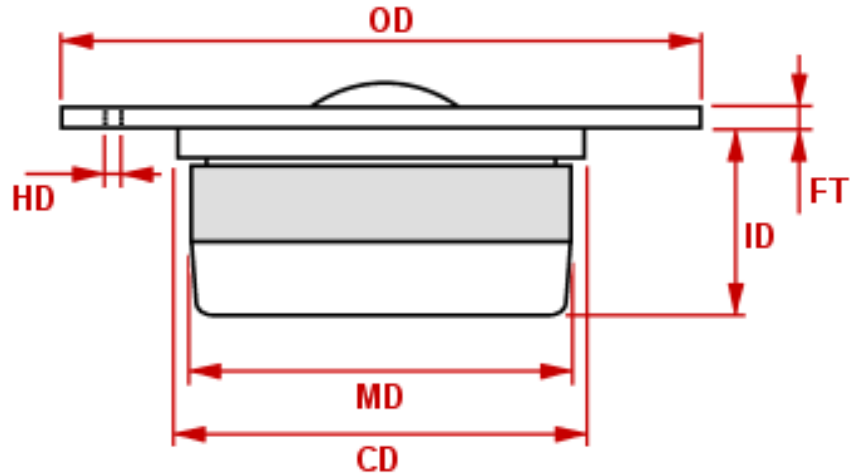




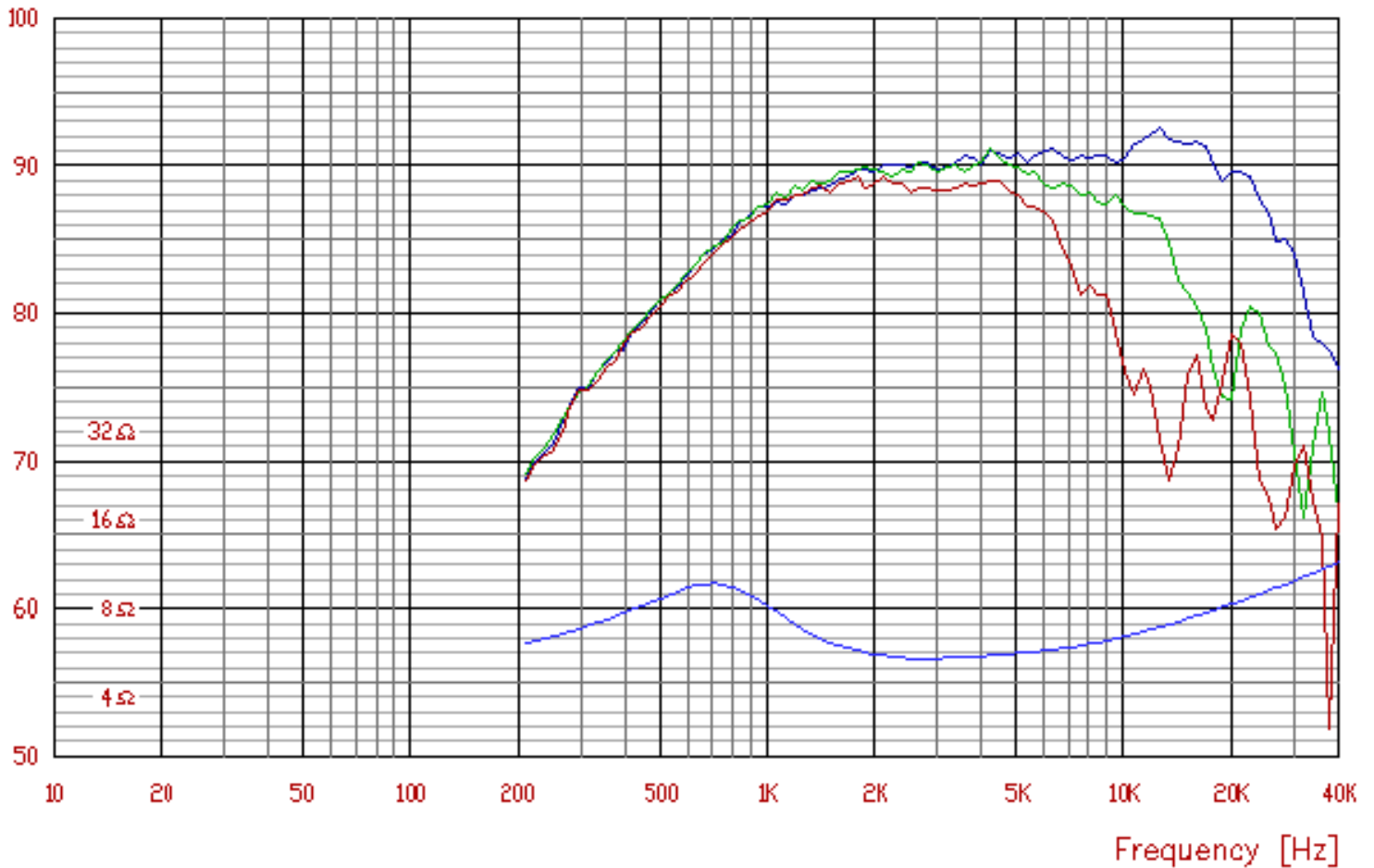
# PL27TG35-06

Nominal impedance [ohm]	6
Voice coil resistance [ohm]	4.6
Nominal power [W]	100
Short term max power [W]	450
Long term max power [W]	225
Operating power [W]	4.2
Sensitivity [dB]	91
Frequency range [kHz]	1.5-30
Free air resonance [Hz]	750
Voice coil diameter [mm]	25
Voice coil height [mm]	1.6
Air gap height [mm]	2
Voice coil inductance [mH]	-
Eff. diaphragm Area [cm <sup>2</sup> ]	7.1
Moving mass [g]	0.32
Magnet weight [g]/[oz]	240/8.5
Force factor [Bl]	2.7
VAS [l]	0.010
Q <sub>ms</sub>	1.17
Q <sub>es</sub>	0.95
Q <sub>ts</sub>	0.52



OD:	-	CD:	-
FT:	-	ID:	-
MD:	-	HD:	-

SPL [dB]



Frequency response: 2.83V / 1m



if you look closely you can see us everywhere...